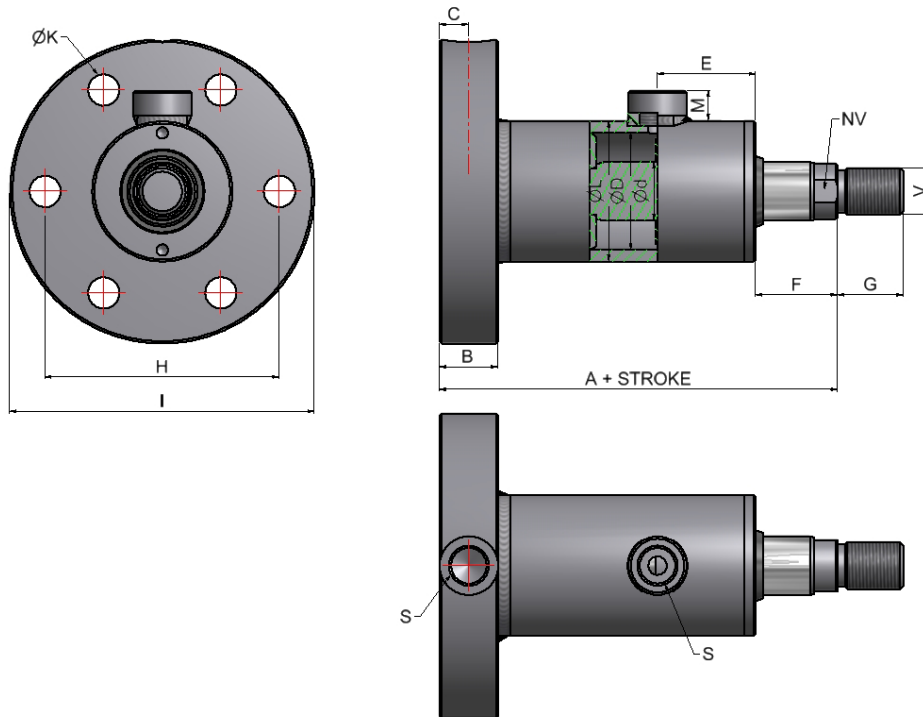


KS2-DVGBF Cylinders

Bottom flange - threaded rod end



Specifications

ØD	50	63	80	90	100	110	125	140	160	180	200	220	250
Ød	25/32	32/40	40/50	45/56	50/63	56/70	63/80	70/90	80/100	90/110	100/125	100/140	110/160
A	145	155	173	183	205	222	235	237	274	293	308	375	400
B	25	25	30	30	35	35	40	45	50	55	60	65	70
C	12.5	12.5	15	15	17.5	17.5	20	22.5	25	27.5	30	32.5	35
E	42	46	51	56	76	76	90	102	114	122	122	135	158
F	35	44	42	48	40	57	42	23	39	34	40	76	42
G	28	36	45	45	56	56	63	75	85	85	85	106	112
H	100	115	155	165	190	200	215	235	275	300	330	375	420
I	130	145	195	205	230	240	255	275	330	355	390	440	505
ØK	6 x 13.5	6 x 13.5	6 x 17.5	6 x 17.5	6 x 22	6 x 22	8 x 22	8 x 22	8 x 26	8 x 26	8 x 33	8 x 33	8 x 39
ØL	60	73	95	105	120	130	145	165	185	210	230	250	298.5
M	14	14	18	18	18	18	18	18	22	22	22	22	22
S	3/8"	3/8"	1/2"	1/2"	3/4"	3/4"	3/4"	3/4"	1"	1"	1"	1"	1"
V	M20x1.5	M27x2	M33x2	M33x2	M42x2	M42x2	M48x2	M56x2	M64x3	M64x3	M72x3	M90x3	M100x3
NV	22/25	25/35	35/45	38/48	45/55	48/60	55/70	60/80	70/90	80/102	90/115	90/130	102/150

All measurements in millimetres (mm) unless otherwise quoted.